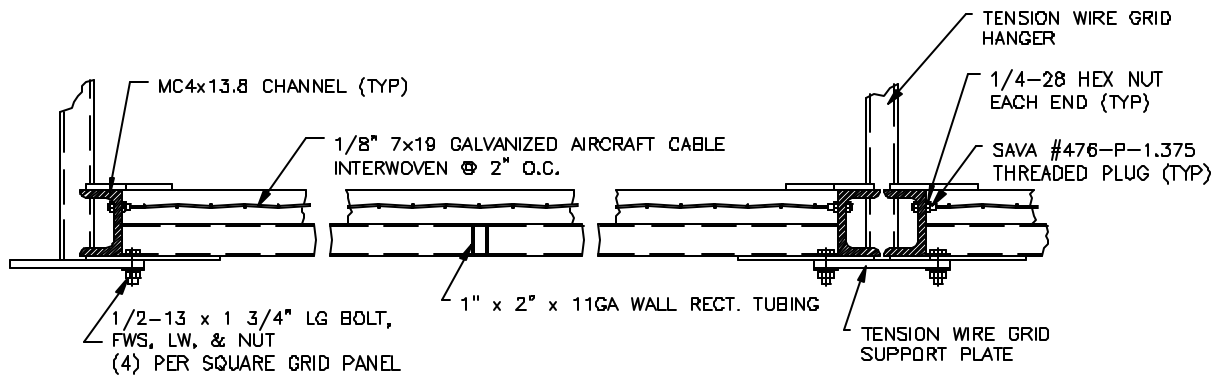


TENSION GRID PLAN VIEW



SECTION A-A