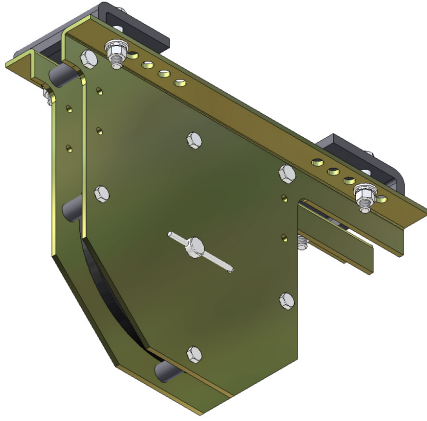


# Unitized Loft Block™ Formed - Single Piece Side Plate Design Under Hung Loft Block



P/N: 200-08100-X-0

The SECOA Unitized Loft Block is the next generation in loft block design integrating the base angle and side plate into one unified structural member.

For use on manual or motorized counterweight systems; single line with or without idlers, or with multi-line sheaves.

## Features:

- One-piece side plate/base angle design is stronger than the traditional loft block design, in side-by-side straight pull destructive testing.
- Lower cost than traditional loft blocks. Cost savings can be substantial.
- Mounting holes and locations will fit from 5.5" to 11.75" wide loft beams, offering an extensive amount of options and attachment possibilities to the loft beam.
- Idlers can be located at either end and side of the block.
- Idlers can be easily field changed without disassembling the block allowing for greater versatility in mounting.
- Supplied with 3/8" thick mounting clips and bolts.
- Can be supplied with a traditional cast iron sheave, steel sheave or a nylon sheave for additional cost savings.

## Benefits:

- Stronger one-piece side plate design.
- Cost effective solution to the traditional as well as throat-cut loft block designs.
- Pre-punched mounting holes fit an optimum number of mounting situations.
- Mounting clips and bolts are included in the price of the block.

1-800-328-5519

[www.secoa.com](http://www.secoa.com)

**SECOA**®

The Stage Equipment Company

8650 109<sup>th</sup> Avenue North Champlin, MN 55316-3789  
(763) 506 8800 \* (763) 506 8844 FAX

